



New Jersey International & Network Distribution Center



□ Sr. Management Team

Plant Manager

Stephen Humin

(201) 714-6204

Manager In Plant Support

Margarette Kim

(201) 714-6203

Manager Bulk Operations

Kenneth Ciecich

(201) 714-6119

Manager Intl Operations(A)

Larry Rosenfeld

(201) 714-6577

Manager Maintenance

George Forst

(201) 714-6202

Manager Transportation

Annette Zacche

(201) 714-6626

□ Facility Information

- **Area** 1.49M sqft

- **Bay Doors** 306 Bay doors

- **Operations**
 - International Inbound
 - Domestic
 - STC
 - Transportation
 - Maintenance
 - Federal Credit Union
 - DNO Network Operations
 - USPS Inspection Services
 - Postal Police

□ Facility Information

- **Operations**
 - US Customs and Border Protection
 - Dept. of Agriculture
 - JMPA-A (Military)
 - DPO Logistics & Customer Support
 - EAP
 - FSO Facility Service Offices
 - Field Finances

- **Fleet**
 - 2,200 Trailers

- **Common Fleet**
 - Control repairs for the entire Tri State Area

- **Daily Trips**
 - Apprx 750 Inbound trips
 - Apprx 750 Outbound trips

□ Current Facility Complement

Management	130
Craft Employees	1,881
<u>Total</u>	<u>2,011</u>

□ Location

- **80 County Rd, Jersey City, NJ 07097-9998**

Strategically located Near:

- All major Highways which access Tri State Area and PA.
- Right off the NJ Turnpike
- Bridges connecting to NY
- Port Authority Piers
- Major Airports
- Railroads

❑ Equipment

Bulk Building:

- 2 Parcel Sorters dedicated for the Outgoing Parcel volume
- 3 Parcel Sorters dedicated for the Destinating Parcel volume
- 1 High Speed Universal Sorter for the Non Machineables
- 2 Sack Sorters

International Building

- 4 FSS Flat Sequencing Sorters for Flat DPS
- 2 Flat Sorters – AFSM 100s
- 1 APPS – Bundles sortation of Marketing and Priority volumes
- 2 High Speed Tray Sorters for Marketing and FC Letter Trays
- 1 Low Cost Universal Sorter for Military and Priority volume

□ Annual Volumes

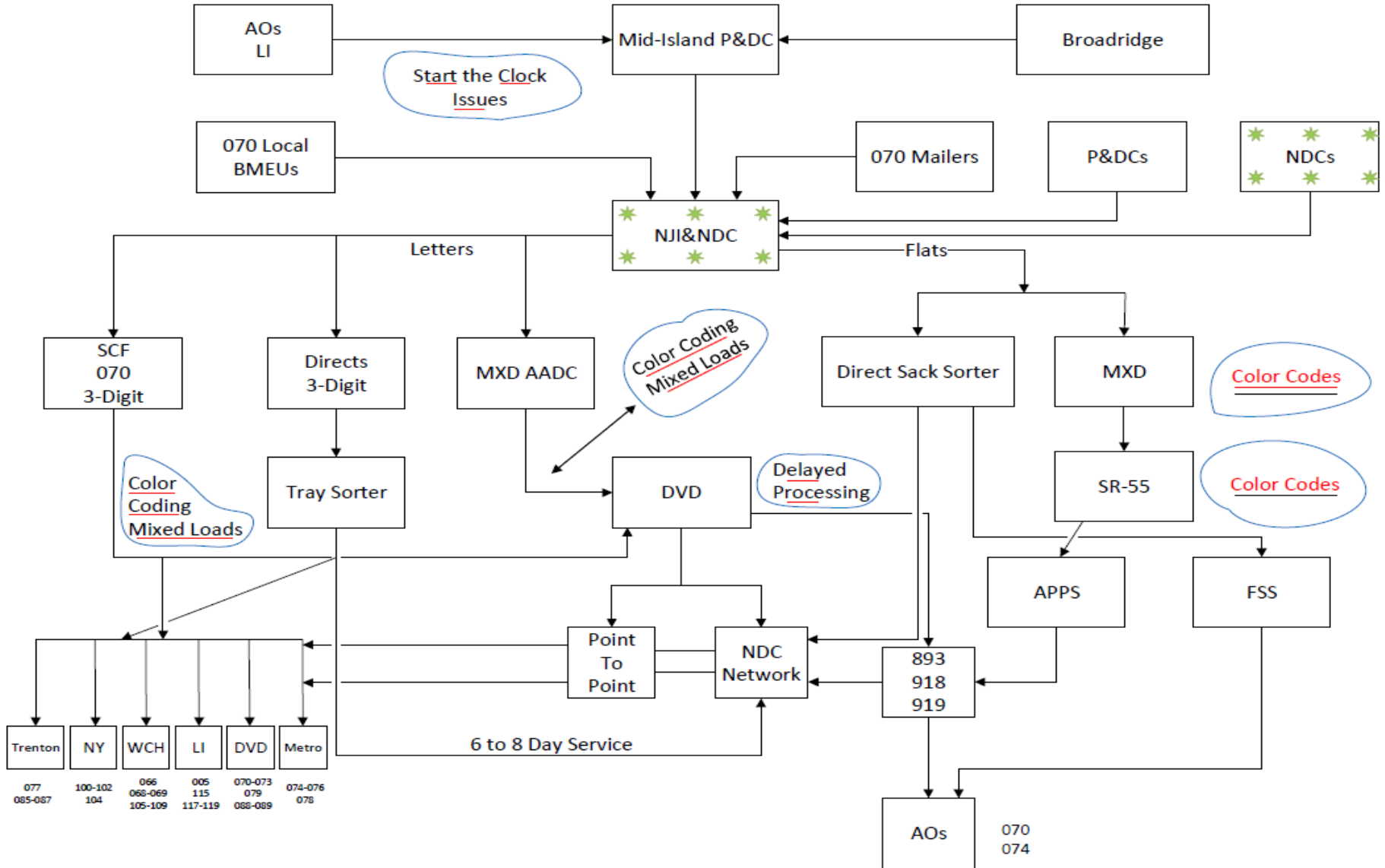
➤ Originating Priority	17.6M
➤ FSS volume	155.3M
➤ Marketing Flat Bundles	15.8M
➤ Marketing Letter Trays	5.86M
➤ First Class Ltr Trays	3.88M
➤ MMP Flats	16.7M
➤ Originating Marketing Flats	11.7M
➤ Originating Retail Ground	22.8M
➤ Destinating Retail Ground	17.8M
➤ Foreign Inbound	5.6M
➤ Walmart and Amazon (Peak Season)	100 Trailers

❑ **FSS processing**

- **4 FSS Machines**
- **Total 5-Digit Zones: 145**
- **Total new zones (added June 2017 Super Sort Plan implementation): 33**
- **Avg Daily volumes (before Super Sorts): 425K pieces per day**
- **Avg Daily Volumes (after Super Sorts): 550K Pieces per day**
- **Sort Plans before SS: 42**
- **Sort Plans after SS: 37**
- **SCFs serviced in FSS: 070, 071, 074, 076, 078, 079, 088, 089**



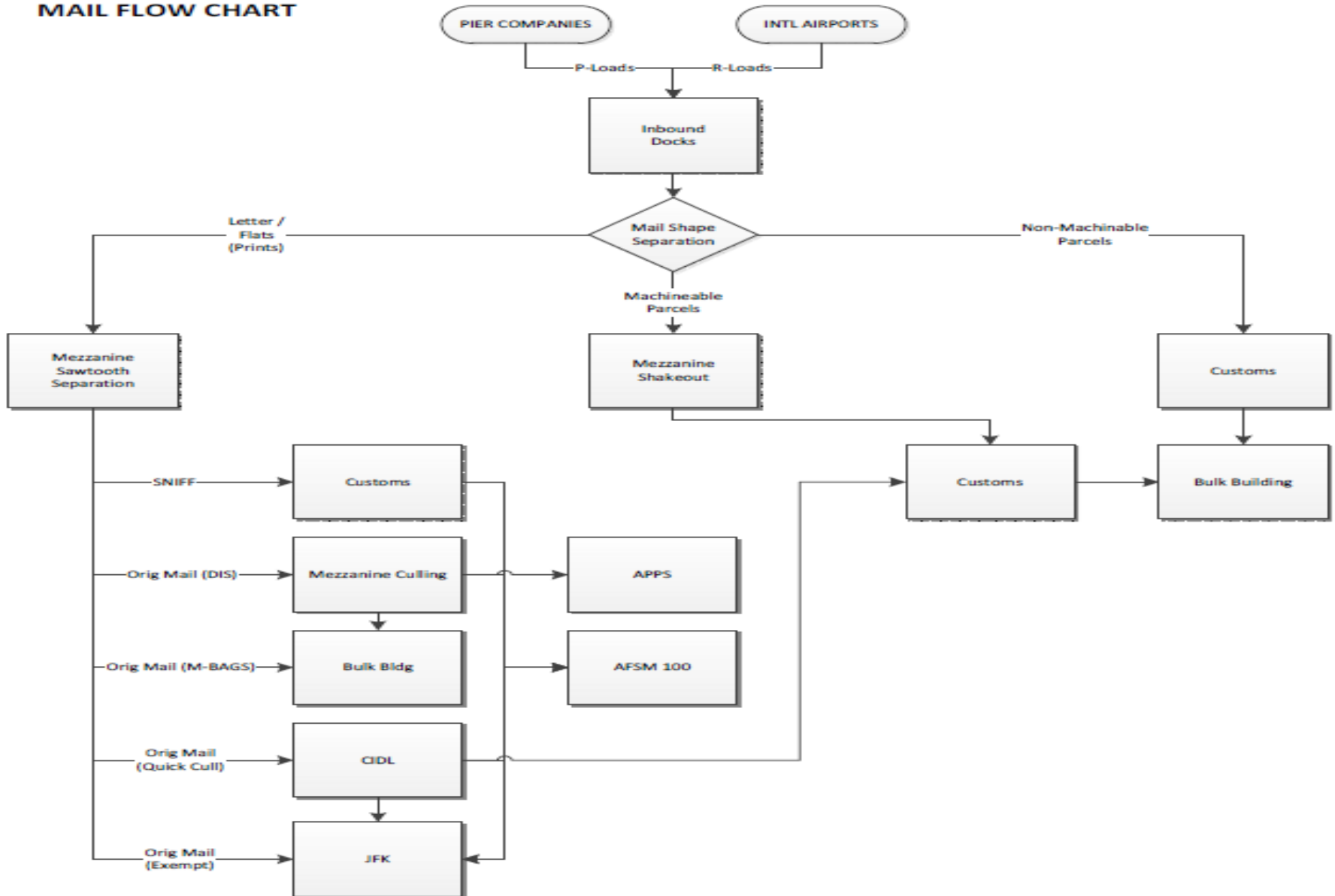
Marketing Letters and Flats Flow



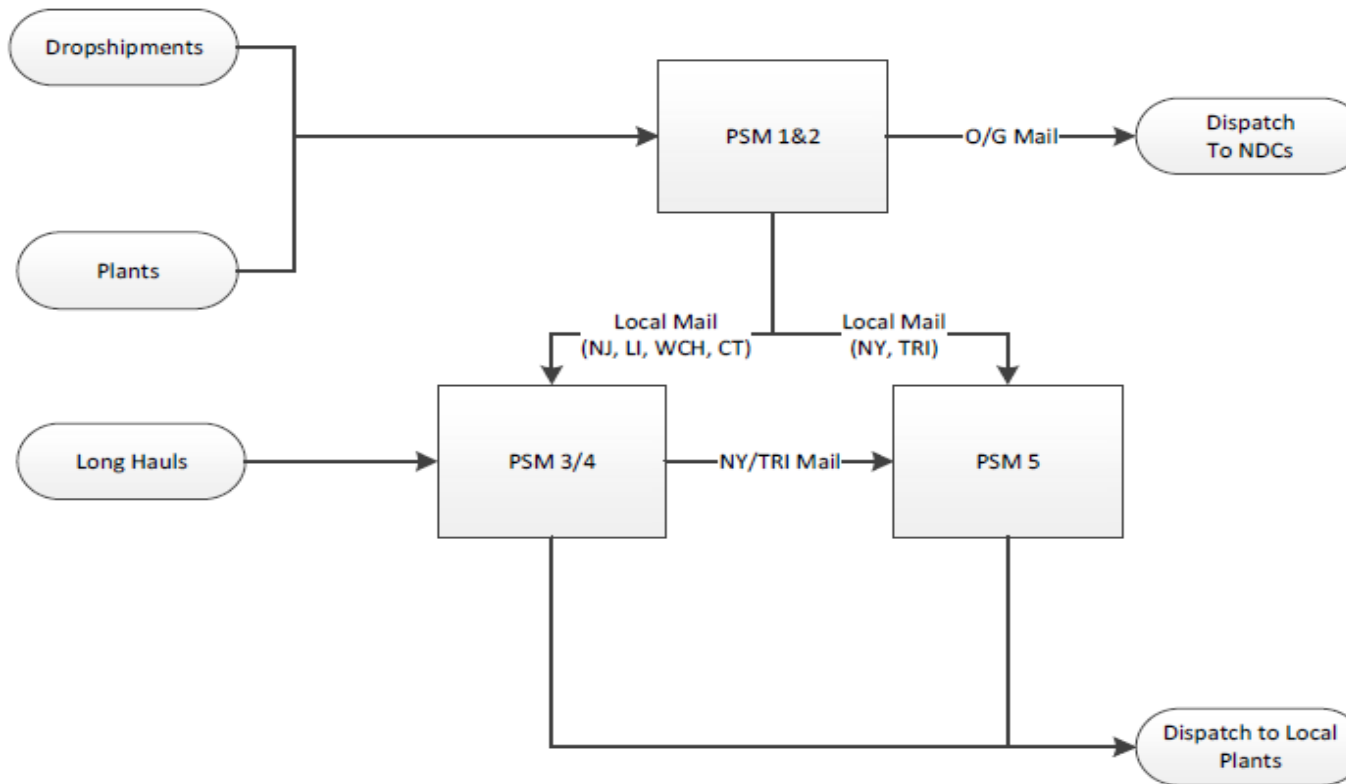


Foreign Inbound Flow

FOREIGN INBOUND MAIL FLOW CHART



Retail Ground Parcels



Bulk Building Floor Feeds

Legend:

- SSM 1/2
- PSM 1/2
- PSM 3/4/5

